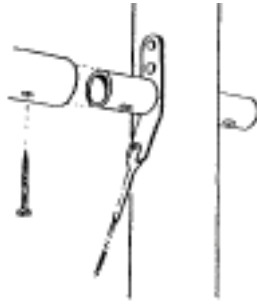
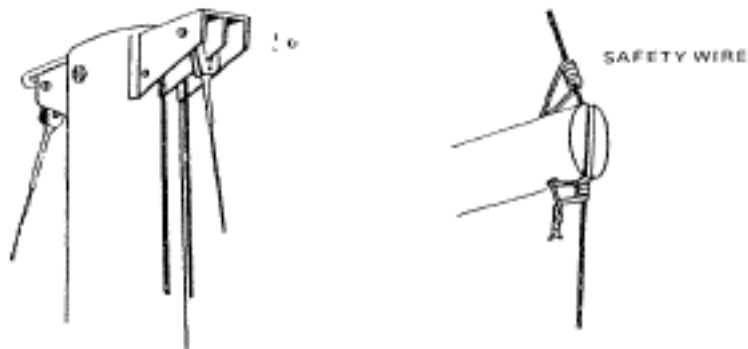


## B. Standing Rigging Procedure

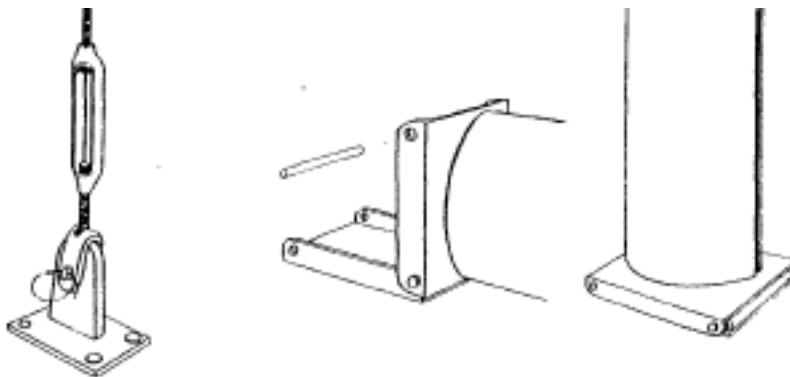
1. Make sure the area where you will be raising the mast is clear of overhead wires and obstructions.



2. Slide the spreaders over the sleeve on the mast and attach them with self tapping screws. Make sure the grooves on the end of the spreaders are vertical.
3. Run the main and jib halyards through the sheaves in the masthead fitting. The jib shackle should be forward and to port, the main halyard shackle should be aft and to starboard. Secure both ends of the halyards to the cleats on the mast (this will prevent them from coming out when you raise the mast).



4. Attach the backstay, forestay, upper shrouds and the forward and aft lower shrouds to the mast. Safety wire the upper shrouds in the slots at the end of the spreaders. The shrouds should be able to run freely in the slots but they should be wired so they will not come out of the slots. Tape the wire end to prevent ripping or chafing of the sails.
5. Loosen the turnbuckles until four threads are showing in each end of the turnbuckle barrel. Caution: to prevent the turnbuckle from coming apart, insure that a minimum of four threads are showing.



6. Position the mast so that it may be raised from aft to forward with the butt of the mast in the hinged mast step.